

IMPORTANT



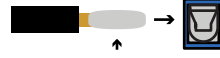
WIRING CONNECTION & INSTALLATION BEST PRACTICES



KEEP MODULES AWAY FROM HEAT SOURCES



MOUNT WITH LOGO FACING UP AND/OR OUT TO A SIDE



SOLDER WIRE TIPS BEFORE SECURING TO TERMINALS

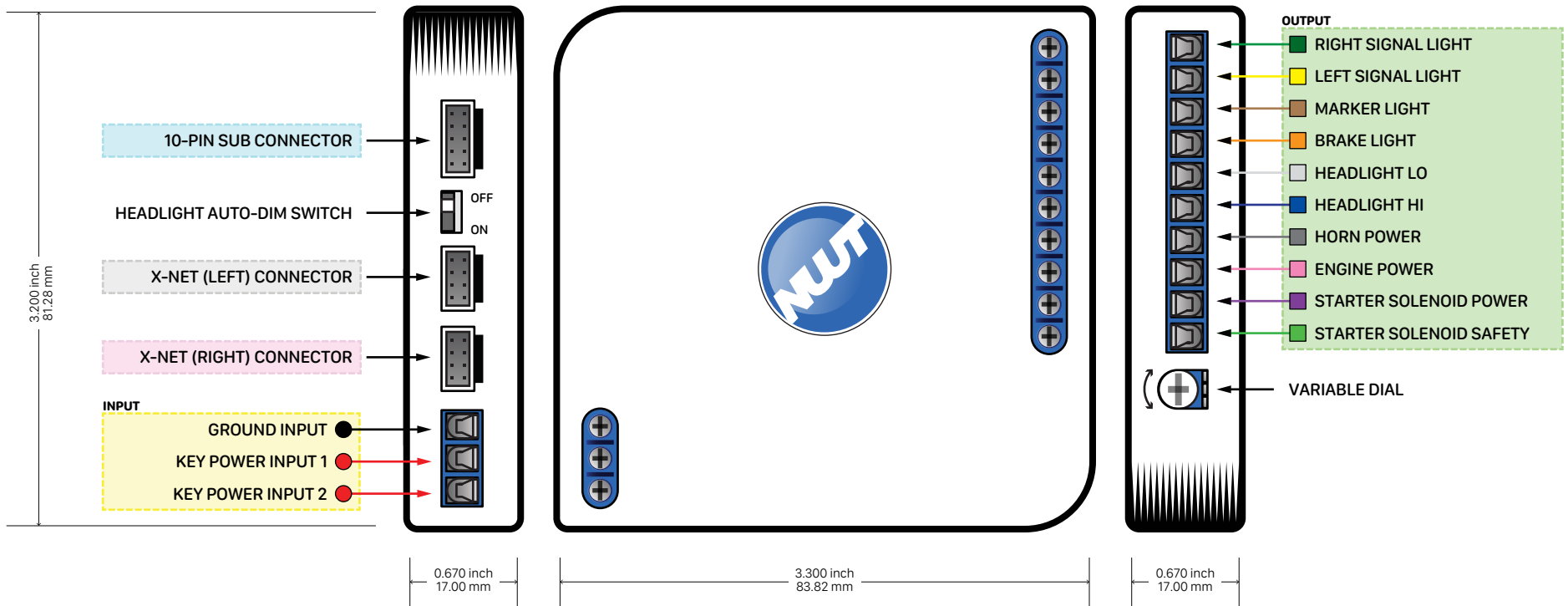


TERMINALS SHOULD BE SNUG AND NOT OVER-TIGHTENED



MARTY

PINOUTS AND DIMENSIONS



FOR CLARIFICATION AND ASSISTANCE TO YOUR SPECIFIC APPLICATION, OUR ENGINEERING TEAM WOULD BE GLAD TO ANSWER ALL YOUR QUESTIONS. INFO@NUUT.CA

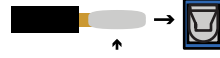


IMPORTANT**WIRING CONNECTION & INSTALLATION BEST PRACTICES**

KEEP MODULES AWAY FROM HEAT SOURCES



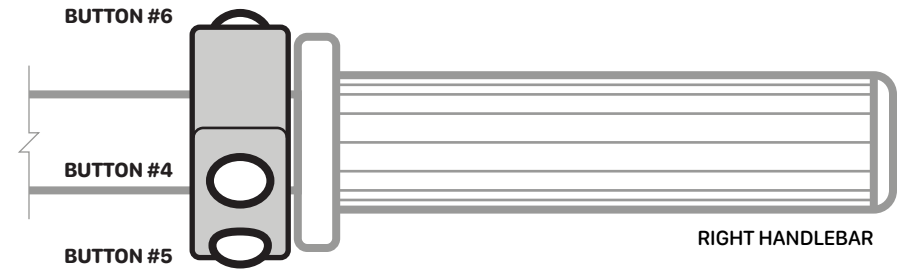
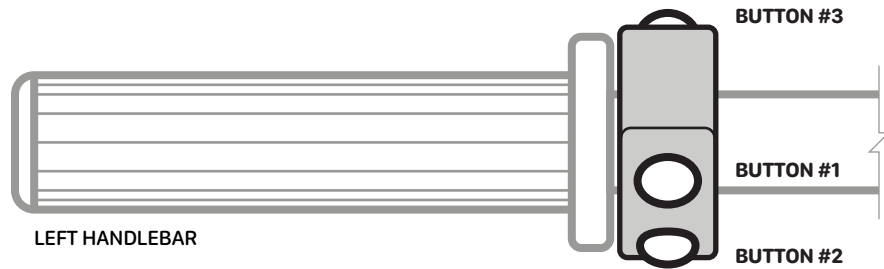
MOUNT WITH LOGO FACING UP AND/OR OUT TO A SIDE



SOLDER WIRE TIPS BEFORE SECURING TO TERMINALS



TERMINALS SHOULD BE SNUG AND NOT OVER-TIGHTENED

**MARTY****SPECIAL BUTTON FUNCTIONS****BUTTON #3**

- 1 TAP = AUTO FLASH TO PASS
- 2 TAPS = HI/LO BEAM TOGGLE
- 3 TAPS = MASTER HEADLIGHT ON/OFF

BUTTON #1

- 1 TAP = LEFT LANE CHANGE SIGNAL, 5 sec timeout
- 1 LONG PUSH = LEFT TURN SIGNAL, 3.5 min timeout

BUTTON #2

- PUSH = HORN

BUTTON #6

- 1 TAP = ENGINE POWER ON/OFF

BUTTON #4

- 1 TAP = RIGHT LANE CHANGE SIGNAL, 5 sec timeout
- 1 LONG PUSH = RIGHT TURN SIGNAL, 3.5 min timeout
- 3 TAPS = HAZARD LIGHTS ON/OFF

BUTTON #5

- HOLD = ENGINE START
Engine Power (Button #6) must be in ON POSITION + NEUTRAL or CLUTCH switch ON

FOR CLARIFICATION AND ASSISTANCE TO YOUR SPECIFIC APPLICATION, OUR ENGINEERING TEAM WOULD BE GLAD TO ANSWER ALL YOUR QUESTIONS. INFO@NUUT.CA

IMPORTANT

WIRING CONNECTION & INSTALLATION BEST PRACTICES



KEEP MODULES AWAY FROM HEAT SOURCES



BEST



GOOD



WORST

MOUNT WITH LOGO FACING UP AND/OR OUT TO A SIDE



SOLDER WIRE TIPS BEFORE SECURING TO TERMINALS

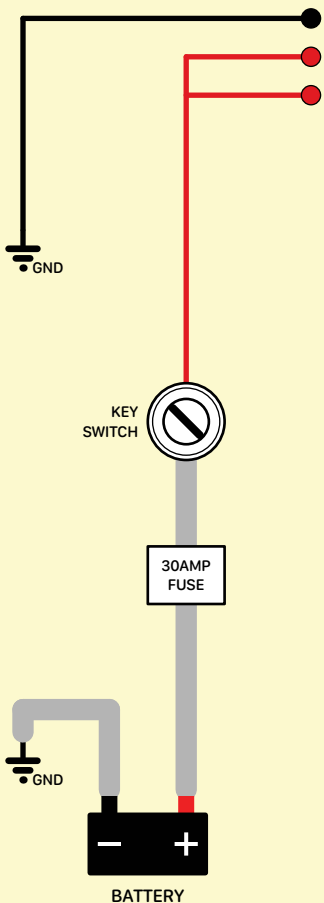


TERMINALS SHOULD BE SNUG AND NOT OVER-TIGHTENED



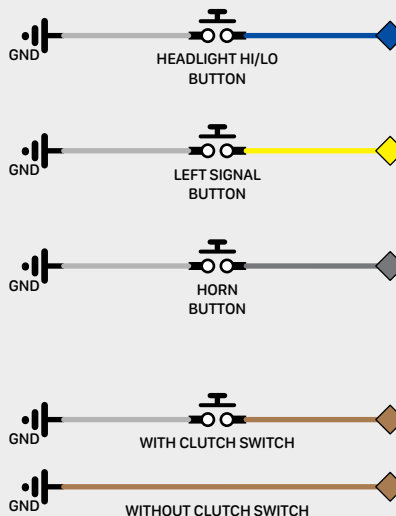
MARTY

INPUT



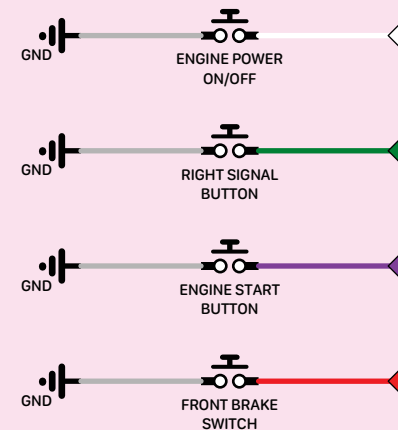
X-NET (LEFT)

X-NET (L) CONNECTOR



X-NET (RIGHT)

X-NET (R) CONNECTOR



FOR CLARIFICATION AND ASSISTANCE TO YOUR SPECIFIC APPLICATION, OUR ENGINEERING TEAM WOULD BE GLAD TO ANSWER ALL YOUR QUESTIONS. INFO@NUUT.CA



IMPORTANT



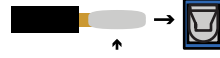
WIRING CONNECTION & INSTALLATION BEST PRACTICES



KEEP MODULES AWAY FROM HEAT SOURCES



MOUNT WITH LOGO FACING UP AND/OR OUT TO A SIDE



SOLDER WIRE TIPS BEFORE SECURING TO TERMINALS

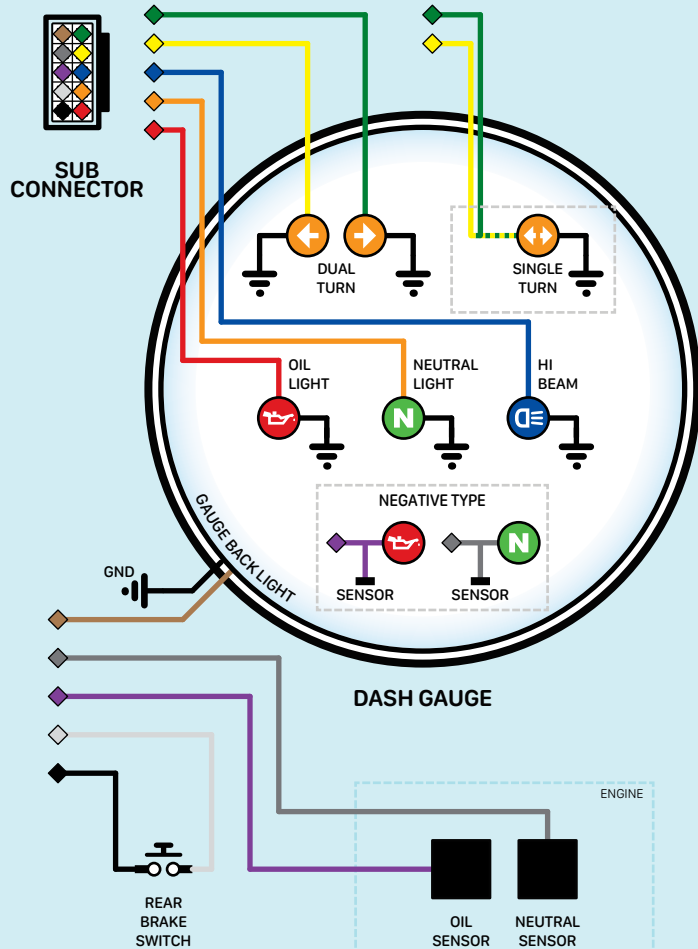


TERMINALS SHOULD BE SNUG AND NOT OVER-TIGHTENED

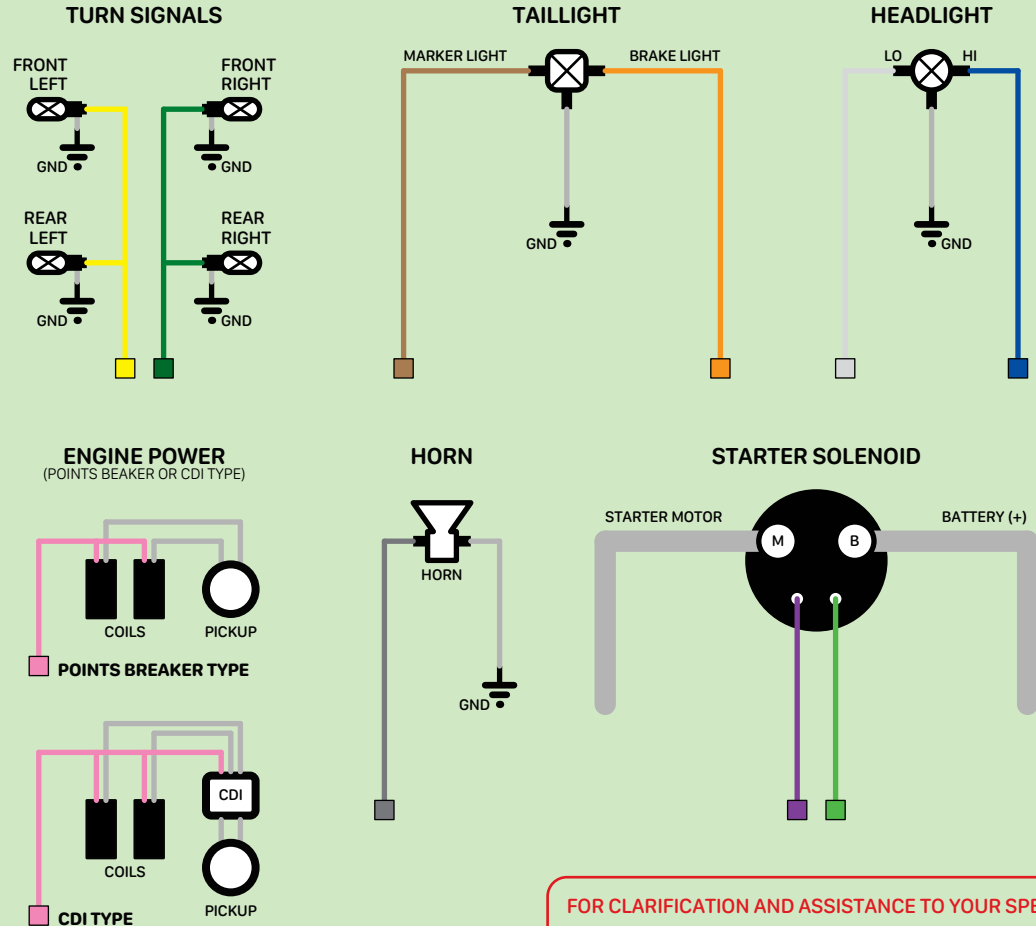


MARTY

10-PIN SUB CONNECTOR



OUTPUT



FOR CLARIFICATION AND ASSISTANCE TO YOUR SPECIFIC APPLICATION, OUR ENGINEERING TEAM WOULD BE GLAD TO ANSWER ALL YOUR QUESTIONS. INFO@NUUT.CA

