

IMPORTANT

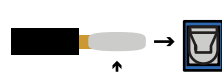
WIRING CONNECTION & INSTALLATION BEST PRACTICES



KEEP MODULES AWAY FROM HEAT SOURCES



MOUNT WITH LOGO FACING UP AND/OR OUT TO A SIDE



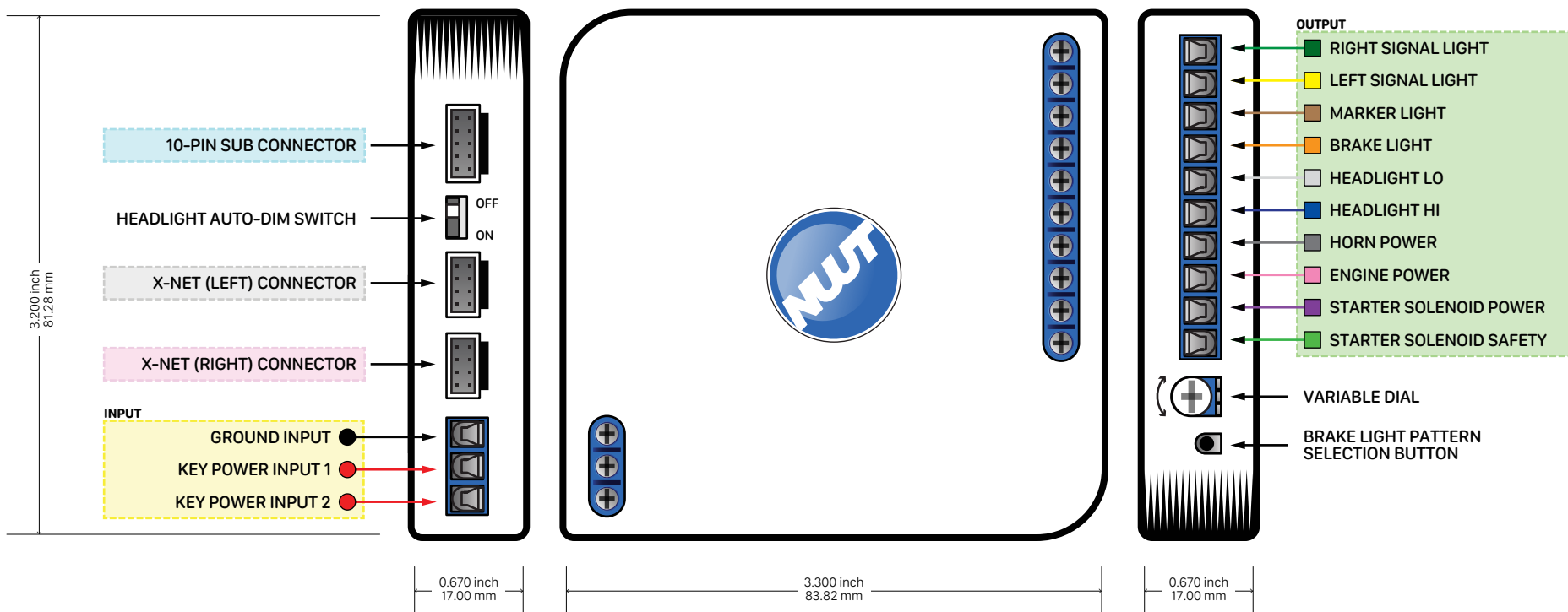
SOLDER WIRE TIPS BEFORE SECURING TO TERMINALS



TERMINALS SHOULD BE SNUG AND NOT OVER-TIGHTENED



PINOUTS AND DIMENSIONS



FOR CLARIFICATION AND ASSISTANCE TO YOUR SPECIFIC APPLICATION, OUR ENGINEERING TEAM WOULD BE GLAD TO ANSWER ALL YOUR QUESTIONS. INFO@NUUT.CA



IMPORTANT

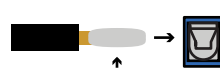
WIRING CONNECTION & INSTALLATION BEST PRACTICES



KEEP MODULES AWAY FROM HEAT SOURCES



MOUNT WITH LOGO FACING UP AND/OR OUT TO A SIDE



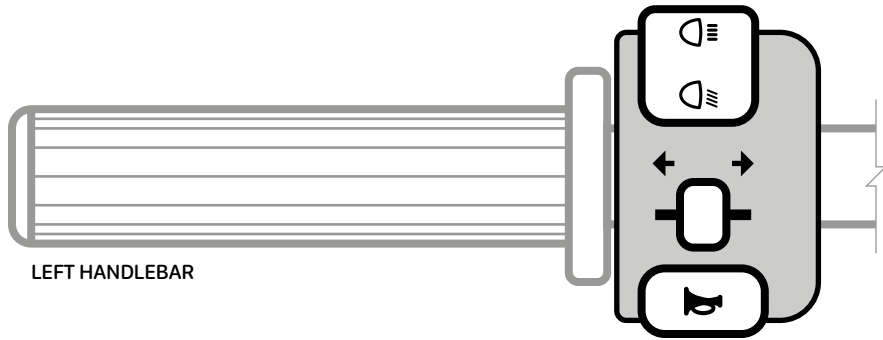
SOLDER WIRE TIPS BEFORE SECURING TO TERMINALS



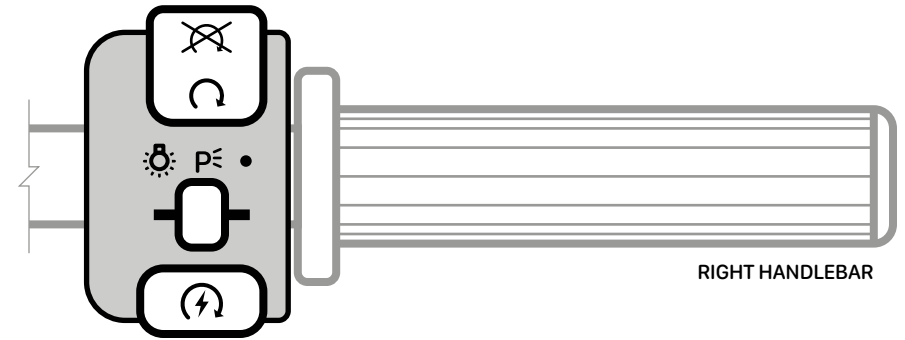
TERMINALS SHOULD BE SNUG AND NOT OVER-TIGHTENED



SPECIAL BUTTON/SWITCH FUNCTIONS



LEFT HANDLEBAR



RIGHT HANDLEBAR

AUTOMATED FLASH-TO-PASS
Quickly toggle the Headlight HI/LO switch

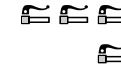


HAZARD LIGHTS
Tap HORN BUTTON 3 times



ENGINE ON + NEUTRAL ON CLUTCH ON +

ENGINE START
Hold down START BUTTON
Engine switch must be in ON POSITION + NEUTRAL or CLUTCH switch ON



BRAKE LIGHT AUTO HOLD
Activate by quickly pulsing the BRAKE LEVER/PEDAL 3 times
Once to deactivate.



BRAKE LIGHT FLASH PATTERN SELECTION (MODULE SIDE)
Press BUTTON on the side of the module to select next pattern

PATTERN 1 - standard (default)
2 - 4 flashes

FOR CLARIFICATION AND ASSISTANCE TO YOUR SPECIFIC APPLICATION, OUR ENGINEERING TEAM WOULD BE GLAD TO ANSWER ALL YOUR QUESTIONS. INFO@NUUT.CA



IMPORTANT



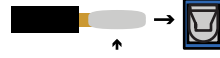
WIRING CONNECTION & INSTALLATION BEST PRACTICES



KEEP MODULES AWAY FROM HEAT SOURCES



MOUNT WITH LOGO FACING UP AND/OR OUT TO A SIDE



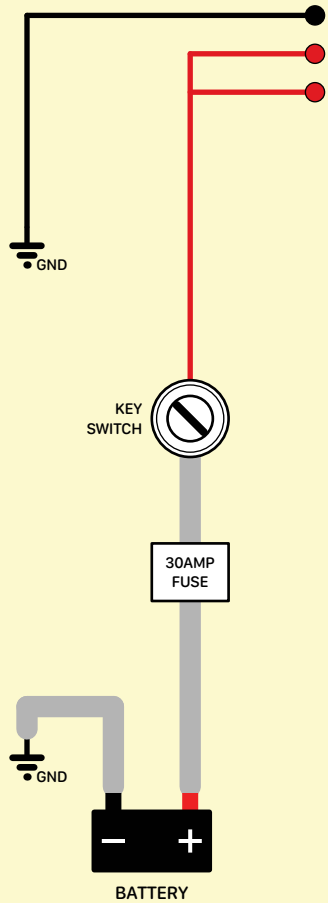
SOLDER WIRE TIPS BEFORE SECURING TO TERMINALS



TERMINALS SHOULD BE SNUG AND NOT OVER-TIGHTENED

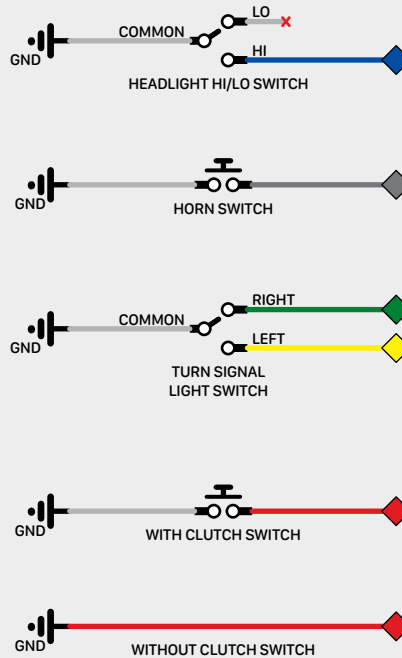


INPUT



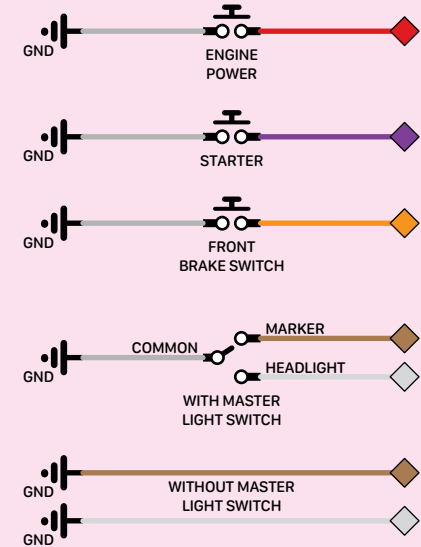
X-NET (LEFT)

X-NET (L) CONNECTOR



X-NET (RIGHT)

X-NET (R) CONNECTOR



FOR CLARIFICATION AND ASSISTANCE TO YOUR SPECIFIC APPLICATION, OUR ENGINEERING TEAM WOULD BE GLAD TO ANSWER ALL YOUR QUESTIONS. INFO@NUUT.CA



IMPORTANT

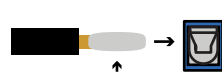
WIRING CONNECTION & INSTALLATION BEST PRACTICES



KEEP MODULES AWAY FROM HEAT SOURCES



MOUNT WITH LOGO FACING UP AND/OR OUT TO A SIDE



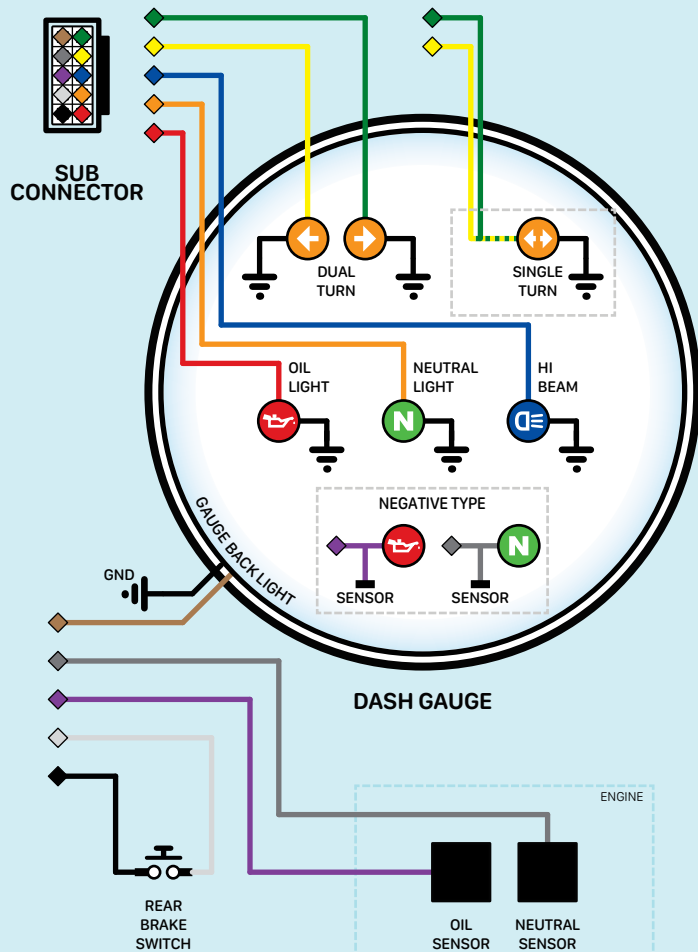
SOLDER WIRE TIPS BEFORE SECURING TO TERMINALS



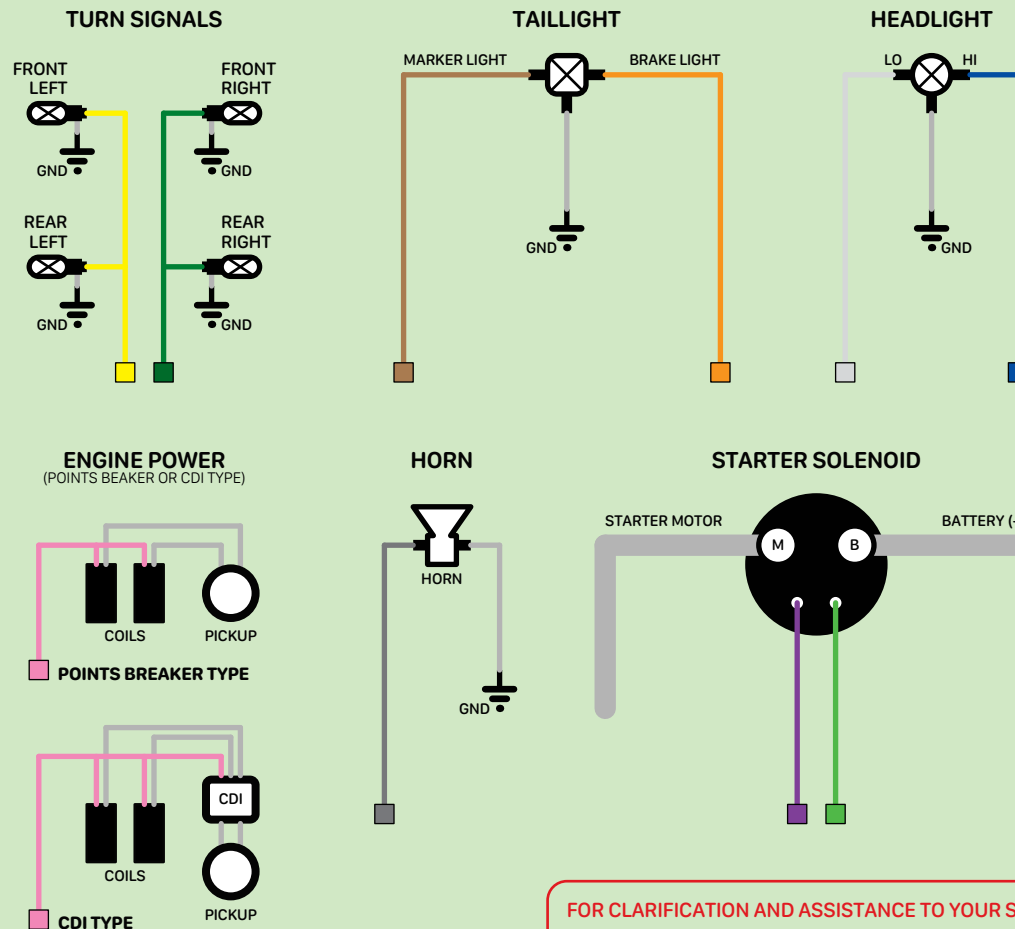
TERMINALS SHOULD BE SNUG AND NOT OVER-TIGHTENED



10-PIN SUB CONNECTOR



OUTPUT



FOR CLARIFICATION AND ASSISTANCE TO YOUR SPECIFIC APPLICATION, OUR ENGINEERING TEAM WOULD BE GLAD TO ANSWER ALL YOUR QUESTIONS. INFO@NUUT.CA

