

IMPORTANT

## WIRING CONNECTION & INSTALLATION BEST PRACTICES

SHAPES AND COLOR IS A CONNECTION

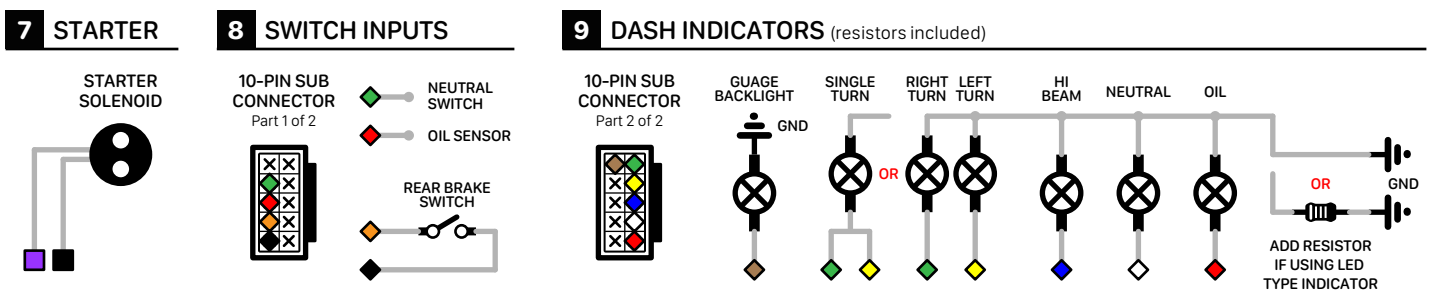
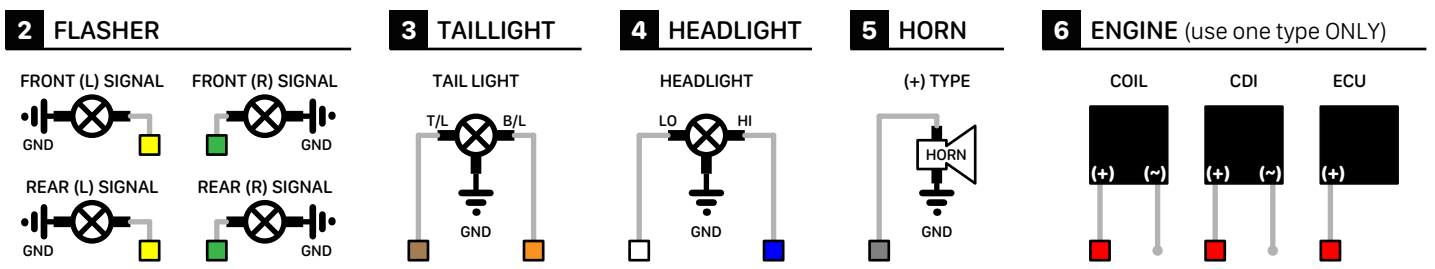
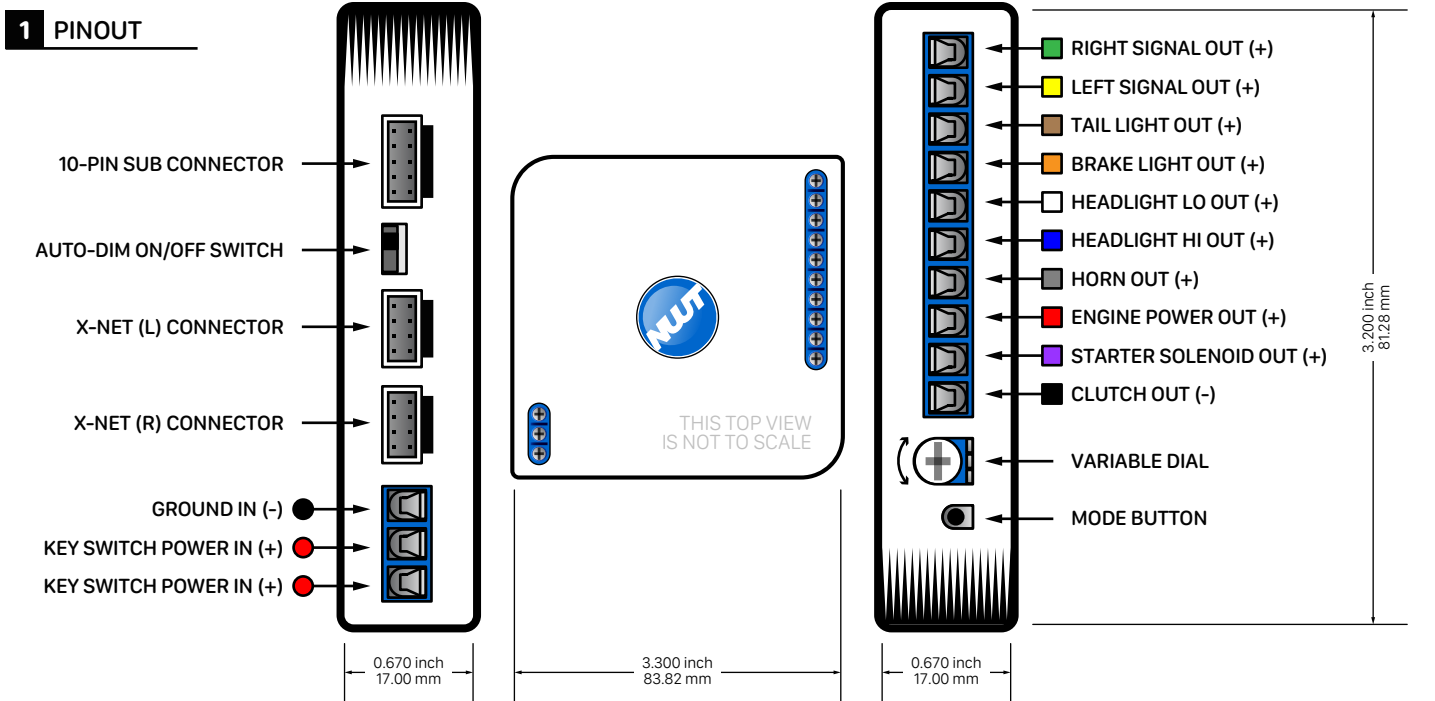
KEEP MODULES AWAY FROM HEAT SOURCES

BEST GOOD WORST

MOUNT WITH LOGO FACING UP AND/OR OUT TO A SIDE

SOLDER WIRE TIPS BEFORE SECURING TO TERMINALS

TERMINALS SHOULD BE SNUG AND NOT OVER-TIGHTENED



**IMPORTANT**

**WIRING CONNECTION & INSTALLATION BEST PRACTICES**

SHAPES AND COLOR IS A CONNECTION

KEEP MODULES AWAY FROM HEAT SOURCES

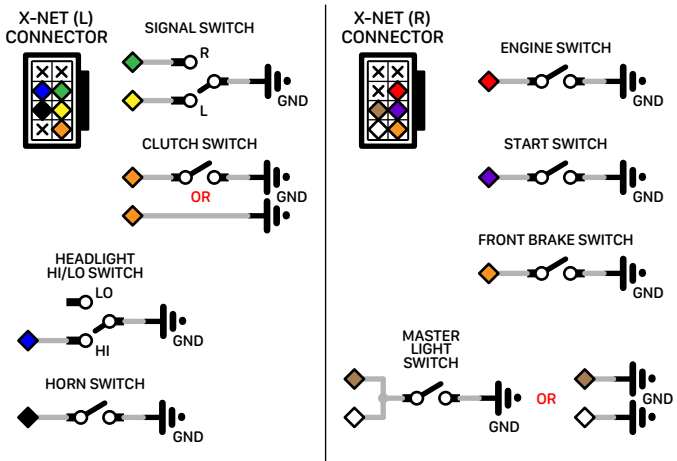
BEST GOOD WORST

MOUNT WITH LOGO FACING UP AND/OR OUT TO A SIDE

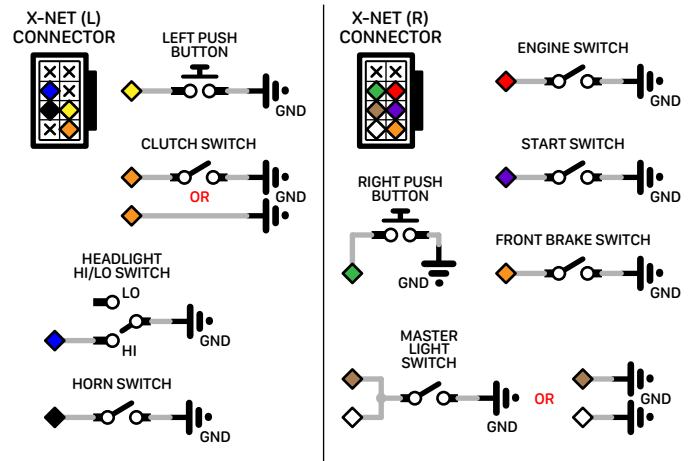
SOLDER WIRE TIPS BEFORE SECURING TO TERMINALS

TERMINALS SHOULD BE SNUG AND NOT OVER-TIGHTENED

## 10a STANDARD STYLE SWITCH INPUTS



## 10b HD-STYLE SWITCH INPUTS



## 11 FLASH PATTERN SELECTION

- Turn power ON
  - (for 10a STANDARD STYLE SWITCH INPUTS version)
    - Activate one Signal Light below,
      - LEFT Signal for LEFT Hand Drive countries OR
      - RIGHT Signal for RIGHT Hand Drive countries, then
    - 4 QUICK PUSH ●●●● of HORN Button to scroll through patterns
  - OR
  - (for 10b HD-STYLE SWITCH INPUTS version)
    - Scroll through patterns by using one of the buttons below,
    - 4 QUICK PUSH ●●●● of LEFT Signal for LEFT Hand Drive countries OR
    - 4 QUICK PUSH ●●●● of RIGHT Signal for RIGHT Hand Drive countries
- PATTERN**
- 1 - single burst (default)
  - 2 - double burst
  - 3 - single, then double burst
  - 4 - variable blink speed using VARIABLE DIAL
  - 5 - single sequential (sequential lights required)
  - 6 - half, then full sequential (sequential lights required)
- Leave it at desired pattern to set

## 12 SPECIAL FUNCTIONS

- HAZARD LIGHTS**  
(for 10a STANDARD STYLE SWITCH INPUTS, without a dedicated Hazard Switch)
- Activate one Signal Light by:
    - using RIGHT Signal for LEFT Hand Drive countries OR
    - using LEFT Signal for RIGHT Hand Drive countries
  - 3 QUICK PUSH ●●● of HORN Button to toggle HAZARD LIGHTS ON/OFF
- HAZARD LIGHTS**  
(for 10b HD-STYLE SWITCH INPUTS)
- Toggle HAZARD LIGHTS ON/OFF by:
    - 3 QUICK PUSH ●●● of RIGHT Signal for LEFT Hand Drive countries OR
    - 3 QUICK PUSH ●●● of LEFT Signal for RIGHT Hand Drive countries
- FLASH TO PASS**
- Toggle HEADLIGHT HI/LO Switch once
- BRAKE LIGHT AUTO-HOLD**
- 3 QUICK PUSH ●●● of Brake Switch to activate
  - 1 QUICK PUSH ● of Brake Switch to deactivate/cancel

## 13 BRAKE LIGHT MODE SELECTION

- Turn power ON
  - Turn TAIL Light ON
  - Push MODE BUTTON to scroll through modes:
- MODE**
- 1 - 4 flash, 2 flash / 20 seconds (default)
  - 2 - 2 flash, 1 flash / 15 seconds
- Leave it at desired mode to set